

# CardiPia 800HS

## Treadmill (WT300TSM)



### Treadmill (WT300TSM)

- Less maintenance and long life cycle
- Silent and smooth movement
- Maximum speed : 20 Km/hour
- Gradient : 25 % ( step 0.5 % )
- Patient loading weight : max. 220 Kg
- Running belt : 1460 x 500 mm
- Control : via USB(RS232), Bluetooth
- Emergency stop push button

## ECG Module CARDIPIA800H



### ECG acquisition module (CARDIPIA800H)

- CARDIPIA800H ECG with Stress ECG I/F
- Cost effective stress ECG system
- Real time ECG display on CARDIPIA ECG
- Easy operate CARDIPIA ECG with color and touch screen

## Stress ECG S/W (TRISMED Ergo) ECG Display and Data Analysis



### Stress ECG S/W (TRISMED Ergo)

- Simultaneous 12 Leads acquisition
- Full control of treadmill functions (USB/Bluetooth)
- Automatic arrhythmia detection and ST segment measurements
- Reliable alarm system
- Full control of all the phases of the stress test
- Automatic analysis of test results and delivery of printed reports
- All common exercise protocols included
- Easy creation and edition of custom protocols

# Technical Specification

## ECG module CARDIPIA800H

Recording Leads	12 standard leads: I, II, III, aVR, aVL, aVF, V1, V2, V3, V4, V5, V6		
Recording Lead Group	Standard / Cabrera / Nehb / User defined group		
Display Channel (Ch)	12 (6-ch x 2), 6 (3-ch x 2), 3 (3-ch x 1), 4 (2-ch x 2), 2 (2-ch x 1), 1 (1-ch x 1)		
Sensitivity (mm/mV)	2.5, 5, 10, 20, 40, Auto		
Recording Speed (mm/sec)	Auto	5,10, 12.5, 25, 50, 100	
	Manual	25, 50	
ECG Data acquisition	Simultaneous 12-lead ECG		
Language	English / Spanish / French / Russian / Turkish / Mongolian / others by user request		
Frequency Response	0.05 ~ 200 Hz ( -3dB unfiltered )		
Digital filter	Drift filter	Muscle Filter	AC filter
	0.5 Hz	25 / 35 Hz	50 / 60 Hz
Calibration Signal	Sensitivity and frequency response test by using internal 1 mV		
	After 5, 10, 15 minutes inactive operation		
Auto Power Switch off	AC	100 ~ 240VAC ±10 % ~50/60 Hz free voltage	
	Battery	Built-in rechargeable battery. NiMH19.2V (2200mA) / 420 reports (150 min) per 12-ch x 1 (5 sec) auto record by fully charged battery	
A/D Resolution	16 bits (0,17 μV/bit)		
A/D Sampling Rate	8,000 samples/8-lead/sec.		
Input Impedance	Greater than 100 MΩ per 10 Hz		
CMRR	Greater than 100dB		
Alarm Display and Sound	Lead-off detection for individual 10 lead, Battery level, Paper empty, HR.		
Performance	AAMI standard requirements		
Electrical Safety	Class I (Degree of protection against electrical shock)		
	Defibrillation proof (5000VDC) based on type CF applied part Complied IEC60601-1 :2005 ( 3rd. edition), IEC60601-2-25: 2011, IEC60601-1-2:2007		
Patient Leakage Current	Less than 10μA		
Stress ECG I/F	Wire (RS232/USB) / Bluetooth.		
	Treadmill/Ergometer and PC stress ECG S/W are required		
Display	Color TFT 7" LCD (Viewing area : 154.08mm x 85.92mm), Dots : 800 x 480		
Key Operation	Alphanumeric PC key by membrane and LCD touch screen		
Dimension	333 (L) x 310 (W) x 105 (H)		
Weight	3.3 Kg including battery		
Temperature	Operating : +10 ~ +40 °C / Transport or Storage : -20 ~ +60 °C		
Relative humidity	Operating : 30~75 % (non-condensing) / Transport or Storage: 10~90 % (non-condensing)		
Atmosphere pressure	Operating : 70kPa ~ 106kPa / Transport or Storage: 50kPa ~ 106kPa		

## Stress ECG S/W (TRISMED Ergo)

ECG Leads	Simultaneous acquisition and recording of 12 Standard Leads
Speed (mm/s)	25 / 50
Sensitivity (mm/mV)	5 / 10 / 20
Treadmill Control	Model WT3000TSM (USB / Bluetooth) Software controls treadmill speed and incline
Exercise Protocols	Bruce / Bruce Modified / Ellestad / Naughton / Balke-Ware / Custom
PC requirements	·Pentium 4 processor, 1 GHz or higher with minimum 1 GB RAM
	·2 free USB 2.0/3.0 ports
	·Bluetooth connectivity (optional wireless connection with the ergometer and/or CARDIPIA)
	·Display, Mouse, Keyboard, Printer (minimum resolution 300 dpi) and HDD (at least 10 GB of free space)
Operating System: Microsoft Windows XP/Vista/7/8/8.1 32/64 bits	
Patients Management	Local Database with export / import functions
Processing	Automatic measurements of ST Segment Level and Slope
	Arrhythmia detection Statistical results with trend charts
System Settings	Configuration of alarms, processing settings and display parameters
Report	Multi format printed reports of test progress and results
ECG view	Multi ECG display views

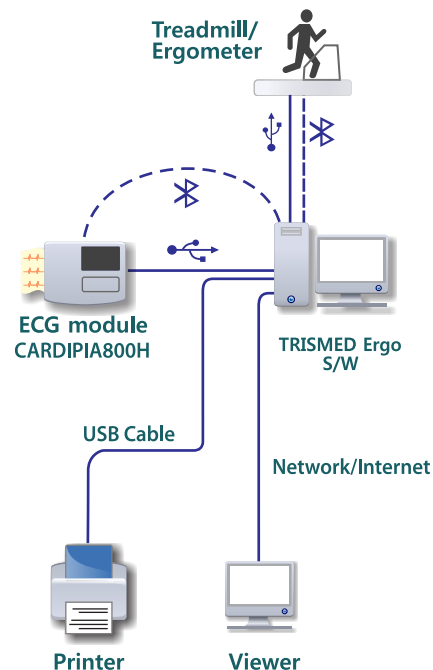
## Treadmill

Length and width	2070 (L) X 800 (W) X 1340 (H) mm
Weight	210 kg
Incline range	0% to 25% in 0.5% increment
Speed range	0.5 km/h to 20 km/h in 0.1 increment
Running area	1350 (L) X 500 (W) mm
Max. user weight	220 kg
Patient Security	· Emergency stop button
	· Magnetic security key for patient safety

\* Contents and specification subjects change without notice

**TRISMED CO., LTD** 409 SMECA, 65 Techno 3-ro, Yuseong-gu, Daejeon 34016, Republic of Korea  
**E-mail,** Sales: trismed@trismed.com, Service: info@trismed.com **Web:** www.trismed.com  
**Tel,** +82-42-936-7201 **Fax.** +82-42-936-7202

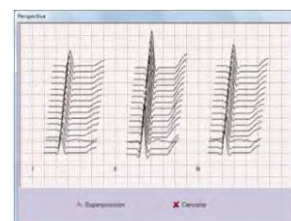
## Stress ECG System



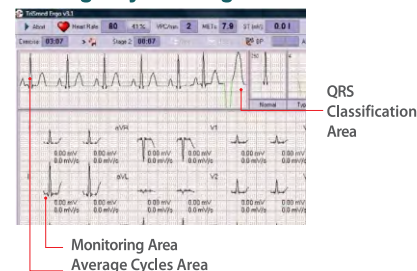
## Ergometer Screen



## Evolution of average cycles



## Average Cycles Page



## ST segment evolution report



**TRISMED**  
 Cardiac Diagnosis Systems  
 Satisfaction Superiority Specialization